

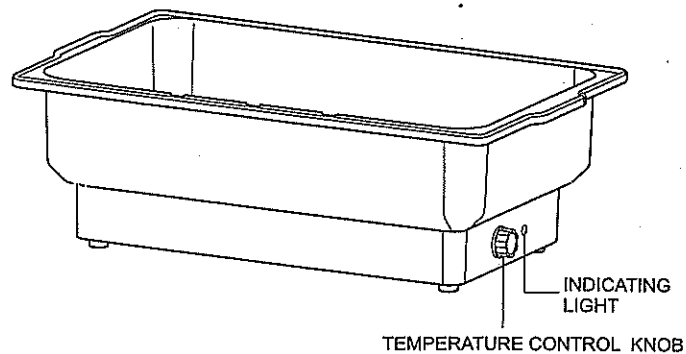
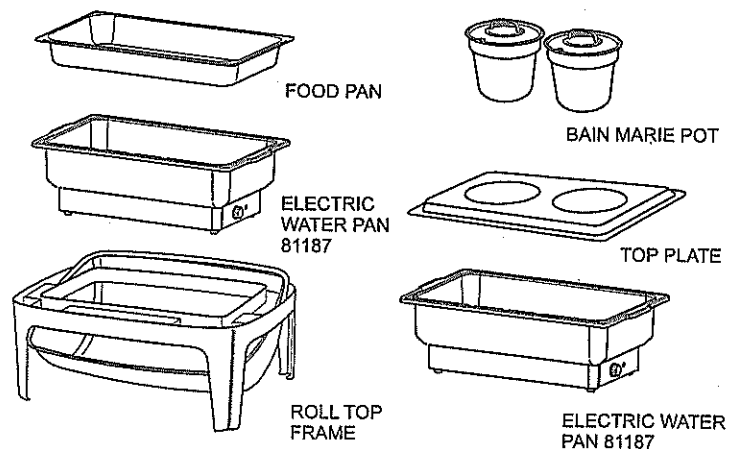
ELECTRIC WATER PAN

SPECIFICATIONS	Capacity	: Fits One Full-size 100mm Gastronorm Pan or Two Bain-Maries
	Voltage	: 220 - 240V a.c. 50Hz
	Power Consumption	: 760 - 900 WATTS

Sunnex Electric Water Pan 81187 is used with a Sunnex 1/1 Chafing Set and can take a single 1/1 Sunnex Gastronorm Pan up to 100mm depth or two 4 liter bain-marie soup pots. It is designed to keep food warm within the food pan or soup warm within the bain-maries in the chafing unit.

- TEMPERATURE CONTROL** - The temperature control knob is connected to an on/off switch. When the water reaches the pre-set temperature the power is automatically cut off. The power switch is marked with "I" and "0". When the switch is at "I" position, the main power is connected and the water pan will be ready for heating. When the switch is at "0" position, the main power is disconnected and the water pan stops being heated. When temperature control knob is turned fully clockwise, the temperature is at the maximum setting. At the maximum setting water in the pan will be heated to approximate 85°C (±10°C). At this point some steam will be visible escaping around the edges of the food pan. If a lower temperature is required, turn the setting down. The temperature control knob will maintain the temperature at that setting about -20°C tolerance. Overheating of the water is protected by the safety thermostat, which cuts at 118°C.
- INDICATING LIGHT** - When the water is being heated, the indicating light beside the temperature knob comes on. When the water reaches the pre-set temperature, the power and the indicating light are automatically cut off. Should the temperature subsequently drop 20°C below the original temperature, the power will automatically be switched back on.
- WATER LEVEL** - Fill water up to the water line when using in conjunction with gastronorm food pan or bain maries. Ensuring heating element is fully covered with water. When the food pan or the bain maries start to float, it is an indication of too much water. If cold water is used, allow only 20 minutes before your required time of use. Hot water will give a quicker time of use.

ELECTRIC WATER PAN, ITEM NO. 81187

**How to Assemble an Electric Water Pan into a Chafing Unit****WARNING!!**

- The electric water pan is made of heat resistant polypropylene. It heats water electrically and is not designed for use with any other type of fuel or heat source. Never use open fire or oven to heat up the unit as the water pan will melt or burn and hence cause accident.
- Never immerse the unit in water as electric shock may occur and cause injury.
- Fill the water pan with water up to the maximum water level mark before use. Do not switch the unit on with no water in the water pan.
- Do not fill water over the maximum water level mark or allow the food pan or bain maries to float, otherwise hot water may spill out and cause bodily injury.
- Do not touch the heating coil with your hand. The heating coil remains very hot even ten minutes after the power is switched off.
- If more than one Electric Water Pans are arranged in series or plugged into a single socket, a qualified electrician should be consulted to avoid overloading. Overloading an electric supply main will have fire hazard.
- Place the unit in an upright position, tilting the unit over 15 degrees may cause overthrow, lead to fire hazard or accident with bodily injury.
- Make sure the power is cut off before cleaning the unit.
- This appliance must be earthed and is for indoor use only.
- Product disposal:
Dispose in accordance with any local and national disposal regulations relating to the reuse, recovery and recycling of waste electrical and electronic Equipment (WEEE).
- This appliance is not intended for use by persons (including children) with reduced physical, sensory or mental capabilities, or lack of experience and knowledge, unless they have been given supervision or instruction concerning use of the appliance by a person responsible for their safety.
- Children should be supervised to ensure that they do not play with the appliance.