



## User and Installation Instructions

### Seal Heated Display Bars

HB2, HB3, HB4, LD2, LD3, LD4

Please make a note of your product details for future use:

Date Purchased: \_\_\_\_\_

Model Number: \_\_\_\_\_

Serial Number: \_\_\_\_\_

Dealer: \_\_\_\_\_

\_\_\_\_\_

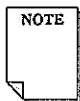
The SEAL logo is written in a large, bold, black, sans-serif font. The letters are thick and have a slightly irregular, hand-drawn appearance.

## INSTALLATION



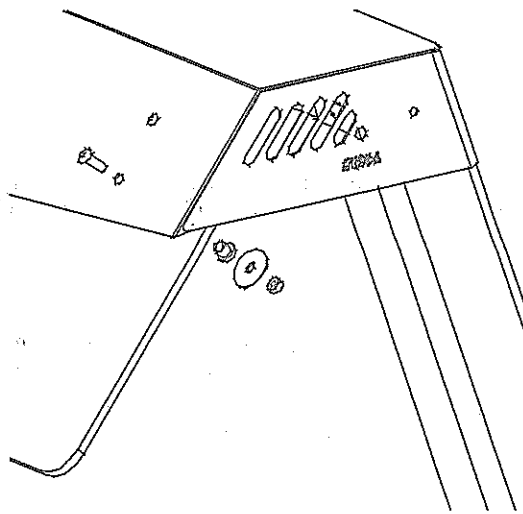
Ensure the unit is installed on a sound, level work surface, which is heat resistant e.g. stainless steel or Formica ®. The unit's external surfaces and base will become hot. You should inform your personnel and customers accordingly.

Do not remove the feet otherwise the unit will overheat.



For safety regulations, the plug must always be accessible.

Fixing diagram for LD sneeze screen, using supplied fasteners.



## CONNECTING TO THE ELECTRICITY SUPPLY



Ensure that the voltage of your electricity supply corresponds to the serial plate details. The product is supplied with a 13 Amp plug. To replace the plug, follow these instructions:

- green and yellow wire to 'E' or (Earth)
- blue wire to 'N' (Neutral)
- brown wire to 'L' (Live)

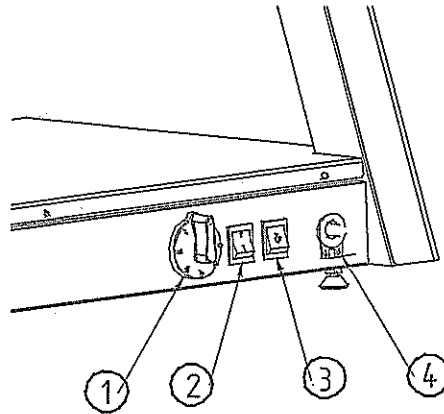


**THIS APPLIANCE MUST BE EARTHED.**

## OPERATING INSTRUCTIONS

Connect the unit to the electricity supply. Ensure that the cable (4) is in good condition.

Switch the unit on (2) and turn the temperature controller (1) to the desired setting. Wait for about 20 minutes for the unit to heat up. Place the dishes/ Gastronorm containers with hot food onto the aluminium hob surface. Switch on the Infra-red lamp (3).



- 1- Temperature Controller
- 2- On/Off Switch
- 3- Infra-red Lamp Switch
- 4- Cable

## CLEANING AND MAINTENANCE

### CLEANING



Disconnect the product from the electricity supply and ensure that it is cool to touch, before starting to clean. Use a mild detergent in hot water and a soft cloth. Do not use abrasive creams or scourers. Use a suitable polish on the exterior metal surfaces by spraying onto the cloth (not directly onto the steel).

### MAINTENANCE



Regular cleaning of the unit is recommended. No regular maintenance is required, but it may be necessary to replace a light tube. Before operation, replace damaged switches, feet, or control knobs.



The Infra-red lamps on LD units are user replaceable. Disconnect the unit from the electricity supply and ensure the unit is cool to touch.

The lamp is a "bayonet" type fit. To remove, push the lamp carefully to one side into the end connector (against light spring resistance) allowing the other end to detach from its connector. Dispose of the old lamp safely. Fitting the new lamp is the reverse of the above sequence.